

# Installation Guidelines

## Wall Clamp Sign System series MSBxxxF



1. Measure the distance between the center of the holes on the back of the rail.

2. With a Level mark the surface where the clamp will be installed and mark the center of the holes. Make sure they are level.



3. On Drywall run the screw in to check for studs. If no stud then use an anchor. If concrete, drill holes for the anchors and insert. On wood no need for anchors.

4. Remove the retention fitting 'A' from the back of the Rail, put a screw through it and and screw into the stud or anchor and snug.



5. Loosen the set screws in the back 'D' that hold the glass display and place the completed display into the Rail 'B' and snug the set screws.

7. Place the Rail on the retention fitting now on the wall and tighten the set screws 'C' from the bottom.



### Tool List:

- Cordless Drill
- Level
- Tape Measure
- Stubby Set Driver for set screws

### DRYWALL



Drywall Anchor  
Screw #8 Stainless Steel

### CONCRETE

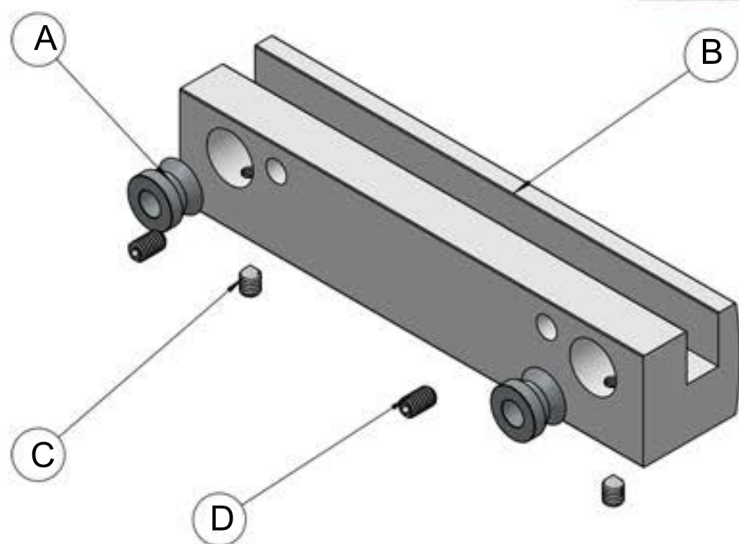


Concrete Anchor  
Screw #8 Stainless Steel

### WOOD



Screw #8 Stainless Steel



It is very important that the screws are properly mounted to ensure a sturdy display